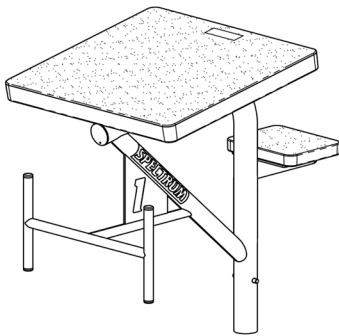
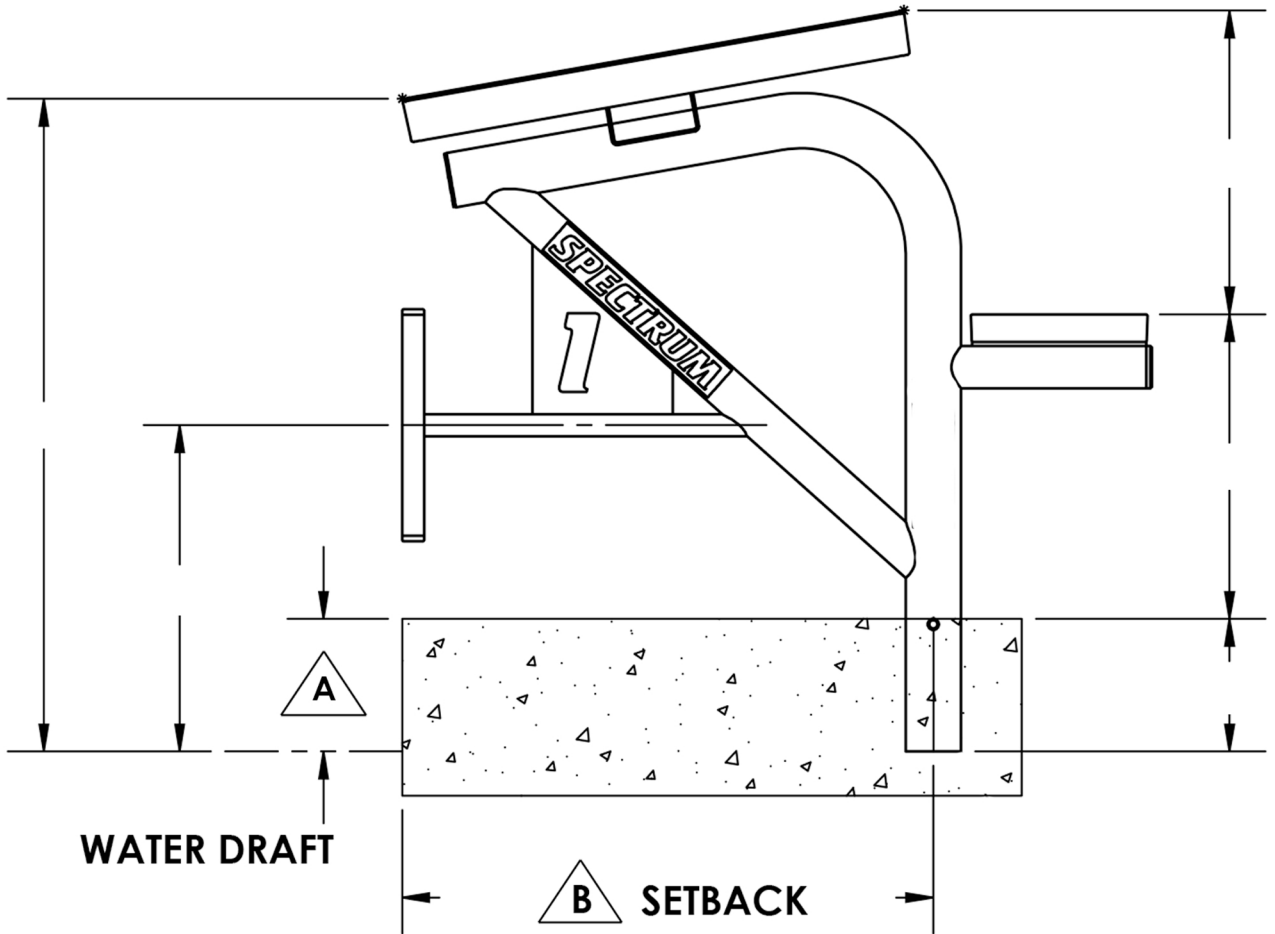


# MEASURE GUIDE STARTING PLATFORM

FORM MG-SP



**Submitted By:** \_\_\_\_\_

**Signature:** \_\_\_\_\_

**Date:** \_\_\_\_\_

**Description** **Measurement**  
(round to the nearest 1/2")

**A**

**Water Draft**

**B**

**Setback**