

MANUAL POOL VACUUMS

Portable Vacuum - on stainless cart:

Savage Vacuum pump features a stainless steel cart and a StaRite 1 HP pump. The unit is supplied with 50 foot cord, waterproof switch and plugs into a standard 115 volt outlet. Suction is 1½ inch complete with check valve discharge is fitted with a gate valve and hose bib for priming. Also available in 1½ & 2 HP using 2 inch suction & discharge; 30 to 60% more flow makes vacuuming quicker saving money over time. Note: vacuum head, pole & hose are sold separately.

Item No	Description		Price
14 20 01	Savage Vacuum 1 HP(115 V) 1½ "	11100	\$2265.00
14 20 02	Savage Vacuum 1½ HP (230) 2"	11110	\$2485.00
14 20 03	Savage Vacuum 2 HP (230V) 2"	11120	\$2695.00



Portable Vacuum with Filter

BKP vacuum cart is an excellent design. This vacuum is compact, it is sturdy & stable yet uses a very small footprint; 20 inches wheel to wheel measurement makes it easy to wheel thru doorways and easy to store when not in use. The BKP component list includes: stainless filter, StaRite pump, stainless steel cart and non-marking tires. One HP unit uses a 105 sq foot filter (5000 g/h) and 2 HP use 155 sq. ft. filter (8000 g/h).

Item No	Description		Price
14 20 04	BKP Vacuum 1 HP(110 V) 1½ "	10700	\$3295.00
14 20 10	Replacement 105 sq ft cartridge	C-7685	\$121.80
14 20 05	BKP Vacuum 2 HP (220V) 2"	10720	\$3495.00
14 20 10	Replacement 155 sq ft cartridge	C-7697	\$161.75



Pricing, product information & delivery for gas powered vacuums up to 5 HP available on request.

AUTOMATIC POOL VACUUMS

DOLPHIN VACUUM LINE

Maytronics has introduced a new lineup of Dolphins for 2012 of which we are carrying three. They have addressed issues that have been brought to their attention and put those concepts into the Wave line. Pricing is also more competitive for 2012. All are zero depth compatible.

Wave 50

The Dolphin Wave 50 is a hard working vacuum that is designed to deliver performance and reliability at a reasonable price. It cleans from the floors to the waterline for complete coverage of the pool. It has a 4 hour cycle, swivel cord and 76' of cable to work most 25M pools. Complete with caddy cart, transformer & filter bag so it's ready to go. 24 months warranty.

Item No.	Description	Price
14 19 20	Wave 50	\$1,985.00



Wave 75

The Dolphin WAVE 75 is a completely new design that adds valued features while maintaining affordability. It adds a remote control to allow manual manoeuvring or access to a menu of cycle options. It can be programmed for a 2, 3, or 4 hour cycle time and comes with 100' swivel cord. Complete with caddy cart, transformer and filter bag. 24 month warranty.

Item No.	Description	Price
14 19 21	Wave 75	\$2,485.00





Wave 100

The WAVE 100 is the most professional model offered by Commercial Aquatics. The machine has greatly enhanced manoeuvring coming from dual drive motors with split brush drive train. Wave 100 also incorporates an internal gyroscope to allow more precise navigation of the pool allowing a more complete coverage pattern. It also comes with a remote that has greater features than the 75. Programmable 4, 6 or 8 hours cycle times with 114' swivel cord. Complete with Caddy cart, transformer and filter bag. 30 months warranty.

Item No.	Description	Price
14 20 22	Wave 100	\$3,995.00



Dolphin HD

The Dolphin HD is a Dolphin 3001 with a few differences to make it a more economical unit. The Dolphin HD, like the 3001, is supplied complete with a caddy cart, transformer & filter bag, there is nothing else to buy.

The most noticeable difference is a shorter standard cord (80 ft. long vs. 100 ft.). The second difference is work cycle HD is preprogrammed for 4 hours, the 3001 for 6 hours. This is desirable because HD cleans a standard 25-meter pool in 4 hours or less; in fact shorter run times mean longer vacuum life (in years). The shorter work cycle actually helps you ensure the HD lasts longer. The HD also has the zero depth features allowing it to reverse back into the water in a zero depth pool. The warranty for HD is 2 years.

Item No.	Description	Price
14 19 03	Dolphin HD 80' cord	\$2895.00
14 19 04	Dolphin HD 100' cord	\$3195.00



Dolphin DC Diagnostic (formerly 3001)

The Dolphin DC Diagnostic vacuum is designed to vacuum and scrub the pool; including the walls. The 3001 is programmed for a 6 hour cycle; it also will reverse direction when it approaches zero depth, making it suitable for 'beach front' pools.

Supplied with a 30 meter cord, an extra filter bag and a caddy cart the Dolphin arrives complete and ready to go. Warranty is 2 years.

Typically in a municipal application, labor saved with a Model DC Diagnostic robot vacuum pays for the cost of a Dolphin in 9 to 16 months.

Item No.	Description	Price
14 19 01	Dolphin DC Diagnostic	\$3844.50



Dolphin Dynamic Pro X (formerly 3002)

This is the best commercial pool robot we have seen!! The remote control for this vacuum allows user to input program choices to customize operation for a specific pool. Input settings include: climbing walls (on or off), length of cleaning cycle (2, 3 or 5 hours) and pool size (10, 15, 20 & 25 M).

The transformer, the main circuit board and the cleaning program are upgraded for a longer life and efficiency. The transformer has indicator lights giving status information at a glance: on/off indicator and filter bag change indicator. The program upgrade results in a much more efficient cleaning pattern - you get a cleaner pool in less time.

The Dynamic Pro is supplied with a cord swivel to eliminate twisting. And the Dynamic Pro also reverses direction when it approaches zero depth, making it suitable for 'beach front' pools.

Supplied with a 30-meter cord, an extra filter bag and a caddy cart; the Dolphin arrives complete and ready to go. Warranty is 2 years.

Typically in a municipal application, labor saved with a Dynamic Pro robot vacuum pays for the cost of a Dolphin in 12 to 20 months.

Item No.	Description	Price
14 19 02	Dolphin Dynamic Pro X	\$4614.00

Tiger Shark 2

The Tiger Shark 2 is a copy of a Dolphin 3001, made in the USA, by a manufacturer which used to sell privately labelled Dolphins. The unit is almost exactly the same, many parts are interchangeable, but the companies have gone two different directions. AquaVac, the makers of the Tiger Shark 2 have chosen to keep the product largely unchanged, but have made small improvements to increase product durability. The beachfront entry feature and cord switch have been deleted for better reliability. The current product comes with a caddy cart, 100' cord, ac transformer, cartridge filter, 7 hour motor cycle, and is CSA approved. The warranty is 2 years or 2000 hours of use whichever comes first, and does not include the consumables, specifically the drive tracks and cartridge filter. There are two service centres, ourselves, and one in Ontario. To date the units seem to be more reliable than their competitors, and better priced.



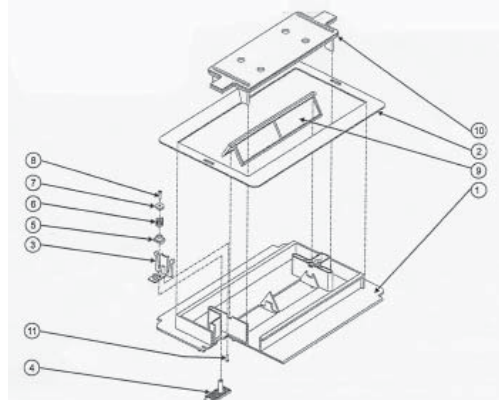
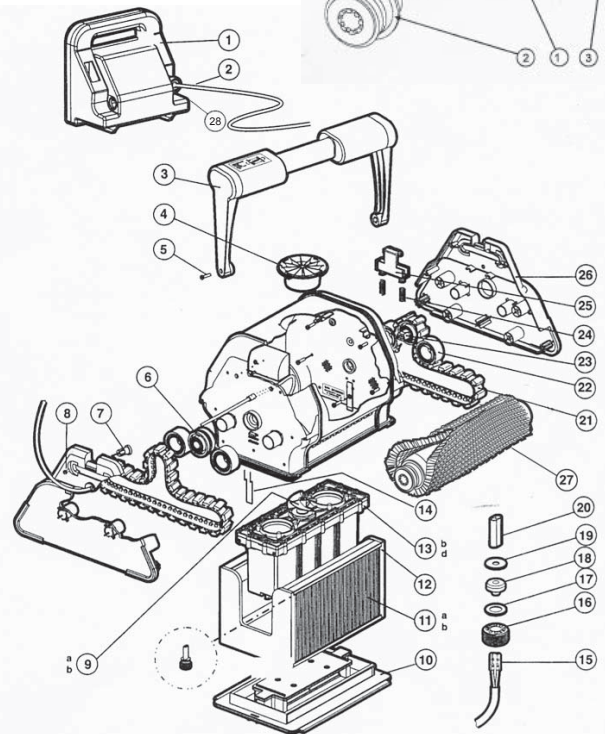
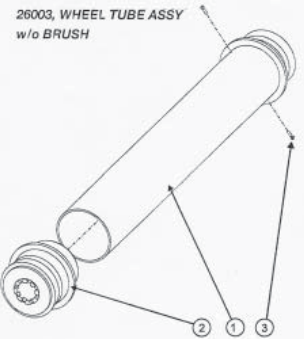
Item No.	Part No.	Description	Price
14 20 50		Tiger Shark 2	\$2795.00

TIGER SHARK 2 PARTS

Part Number	ID#	Description	Price
RCX3000DC2	#1	Power Supply	\$406.00
RCX50110	#2	100' Floating Cord	\$275.00
RCX31009	#28	Amphenol Connector	\$35.75
RCX76007	#3	Handle Assembly	\$84.25
RCX11205	#4	Venturi Assembly	\$19.75
RCX12011	#5	Handle Screw T50 X 20	\$2.35
RCX26001	#6	Idler Pulley	\$56.75
RCX14000	#7	Handle Slide	\$4.65
RCX12001	#8	Side Plate Screw T20 X 12	\$2.10
RCX11000	#9	Impellor	\$19.25
RCX75000	#10	Bottom Lid Assembly	\$75.00
RCX70101	#11	Cartridge Refill (2)	\$82.00
RCX70100	#12	Frame with Filters	\$126.00
RCX41000DC	#13	Motor Unit 7Hour	\$652.00
RCX11400	#14	Lid Clip	\$2.95
RCX59006	#15	Connector	\$1.95
RCX59004	#16	Sealing Nut	\$3.65
RCX12302	#17	Plastic Washer - large hole	\$2.25
RCX59003	#18	Rubber Seal	\$10.35
RCX12301	#19	Plastic Washer small hole	\$2.25
RCX59002	#20	Connector Housing	\$2.75
RCX23002	#21	Drive Track	\$45.00
RCX26000	#22	Idler Pulley	\$41.25
RCX26002	#23	Drive Pulley	\$45.00
RCX12100	#24	Spring-handle latch	\$2.25
RCX14100	#25	Handle Latch	\$9.00
RCX97201	#26	Side Cover	\$33.75
RCX26008	#27	Roller Brush	\$33.75

Wheel Tube Parts

RCX26004	#1	Wheel Tube	\$9.25
RCX26005	#2	Wheel Tube Bearing	\$42.50
RCX3406	#3	Screw #4 x 3/8 Flat	\$1.95



Bottom Lid Parts

Note: These also fit Old Style Dolphin Bottom Lids

Part Number	ID#	Description	Price
RCX75001	#1	Lid Base	\$22.98
RCX78005	#2	Gasket	\$33.65
RCX75002	#3	Clip Support	\$4.25
RCX75003	#4	Locking Plate	\$2.25
RCX75004	#5	Clip Follower	\$1.95
RCX12101	#6	Spring	\$2.95
RCX12101	#7	Spring Retainer	\$2.25
RCX12008	#8	Screw	\$2.35
RCX75005	#9	Inlet Flap	\$6.95
RCX75006	#10	Inlet Cover	\$13.25