

Tiger Shark 2

The Tiger Shark 2 is a copy of a Dolphin 3001, made in the USA, by a manufacturer which used to sell privately labelled Dolphins. The unit is almost exactly the same, many parts are interchangeable, but the companies have gone two different directions. AquaVac, the makers of the Tiger Shark 2 have chosen to keep the product largely unchanged, but have made small improvements to increase product durability. The beachfront entry feature and cord switch have been deleted for better reliability. The current product comes with a caddy cart, 100' cord, ac transformer, cartridge filter, 7 hour motor cycle, and is CSA approved. The warranty is 2 years or 2000 hours of use whichever comes first, and does not include the consumables, specifically the drive tracks and cartridge filter. There are two service centres, ourselves, and one in Ontario. To date the units seem to be more reliable than their competitors, and better priced.

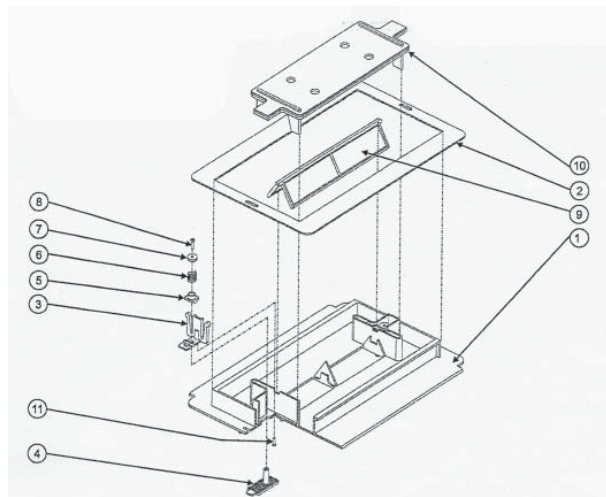
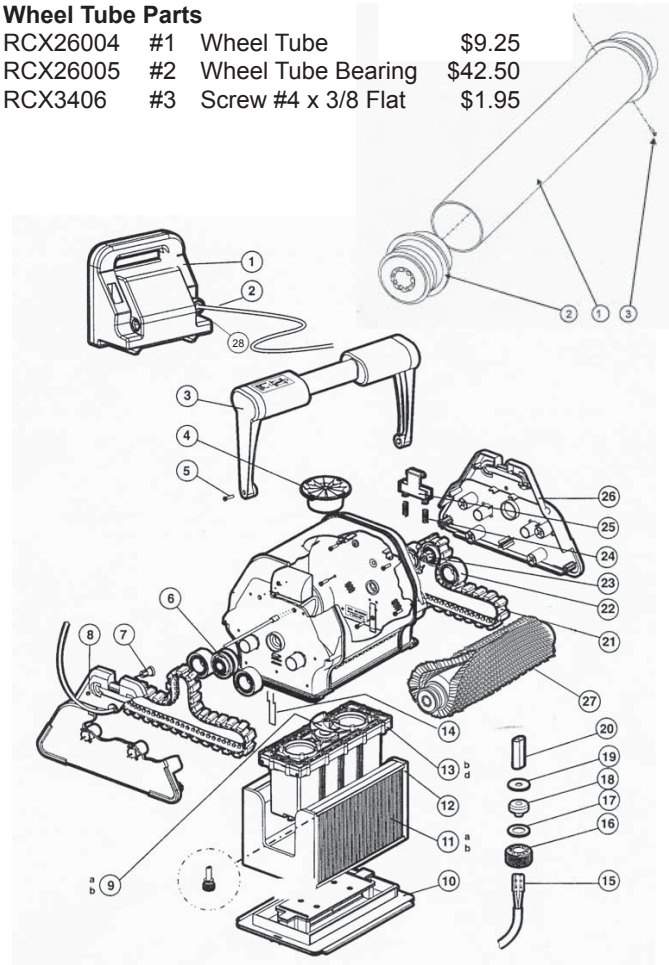


Item No.	Part No.	Description	Price
14 20 50		Tiger Shark 2	\$2795.00

TIGER SHARK 2 PARTS

Part Number	ID#	Description	Price
RCX3000DC2	#1	Power Supply	\$406.00
RCX50110	#2	100' Floating Cord	\$275.00
RCX31009	#28	Amphenol Connector	\$35.75
RCX76007	#3	Handle Assembly	\$84.25
RCX11205	#4	Venturi Assembly	\$19.75
RCX12011	#5	Handle Screw T50 X 20	\$2.35
RCX26001	#6	Idler Pulley	\$56.75
RCX14000	#7	Handle Slide	\$4.65
RCX12001	#8	Side Plate Screw T20 X 12	\$2.10
RCX11000	#9	Impellor	\$19.25
RCX75000	#10	Bottom Lid Assembly	\$75.00
RCX70101	#11	Cartridge Refill (2)	\$82.00
RCX70100	#12	Frame with Filters	\$126.00
RCX41000DC	#13	Motor Unit 7Hour	\$652.00
RCX11400	#14	Lid Clip	\$2.95
RCX59006	#15	Connector	\$1.95
RCX59004	#16	Sealing Nut	\$3.65
RCX12302	#17	Plastic Washer - large hole	\$2.25
RCX59003	#18	Rubber Seal	\$10.35
RCX12301	#19	Plastic Washer small hole	\$2.25
RCX59002	#20	Connector Housing	\$2.75
RCX23002	#21	Drive Track	\$45.00
RCX26000	#22	Track Guide Wheel	\$41.25
RCX26002	#23	Drive Pulley	\$45.00
RCX12100	#24	Spring-handle latch	\$2.25
RCX14100	#25	Handle Latch	\$9.00
RCX97201	#26	Side Cover - Old Style - Flat	\$33.75
RCX97201	#26A	Slide Cover - New Style	\$36.25
RCX26008	#27	Roller Brush	\$33.75

Part No.	ID#	Description	Price
Wheel Tube Parts			
RCX26004	#1	Wheel Tube	\$9.25
RCX26005	#2	Wheel Tube Bearing	\$42.50
RCX3406	#3	Screw #4 x 3/8 Flat	\$1.95



Bottom Lid Parts

Note: These also fit Old Style Dolphin Bottom Lids

Part Number	ID#	Description	Price
RCX75001	#1	Lid Base	\$22.98
RCX78005	#2	Gasket	\$33.65
RCX75002	#3	Clip Support	\$4.25
RCX75003	#4	Locking Plate	\$2.25
RCX75004	#5	Clip Follower	\$1.95
RCX12101	#6	Spring	\$2.95
RCX12101	#7	Spring Retainer	\$2.25
RCX12008	#8	Screw	\$2.35
RCX75005	#9	Inlet Flap	\$6.95
RCX75006	#10	Inlet Cover	\$13.25

DOLPHIN PARTS LIST

Dolphin (3001) DC Diagnostic Parts List

Part	Dia. #	Description	Price
1353510		Bridge Rectifier for PS	\$15.55
1862115		Switch Assembly 3.5 A for P/S	\$115.65
9985007	*	Track New Style - Yellow	\$55.35
1811404	18	Cable Connector	\$1.60
3865005	10	Hex Adaptor SS	\$17.85
3884997	28	Guide Wheel	\$32.25
3917031	6	Handle Clip Spring	\$0.87
3967120		Cable Clamp	\$1.35
5000009	26	Amphenol Plug	\$80.35
5020011		Amphenol socket for power supply	\$70.77
6203703	16	Filter Screen	\$34.40
6101303	12	PVC Brush 3001 - red	\$127.40
9995430	14	Filter Bag	\$146.15
9981430	13	Filter Bag Clip	\$5.66
9985046	27	Track - old style	\$73.75
9985280	5	Non Return flap (for outer casing)	\$7.10
9985061	7	Handle Latch	\$4.58
9985065	8	Handle Arm Slide	\$2.35
3884073		Wheel tube bearing- New	\$33.15
9991279	18	Cable Connector Assembly - 3 pin	\$9.87
9995062	23	Side Plate - yellow with cable fitting	\$36.28
9995066		Side Plate for PG yellow (old style)	\$36.28
9985081	9	Side plate - no hole or fittings for cable	\$36.28
9995075	2	Impellor Tube - red	\$17.44
9995453LF		PCB Assembly P/S	\$150.35
9995188	1	Outer Casing Yellow/Red	\$179.75
9995269	20	Impeller (Screw on top)	\$25.10
3883645	31	Drive Pulley - New - TT	\$53.10
9995590	11	Wheel Tube Assembly - old style	\$88.70
9995658	32	Power supply 3001 DC Diagnostic	\$693.87
GMA5		Power Supply Fuse	\$4.95

9995685	4	Handle Red & Yellow	\$80.17
9995741	3	Handle Float - yellow	\$29.80
9985358	19	3001 Diag Motor Unit	\$1127.50
9995802		Cable Assembly with swivel 30M	\$544.32

Caddy Cart Parts:

Part	Description	Price
9996092	33 Caddy Cart -complete	\$270.85
6101900	Handle for Caddy # 1	\$60.51
9996079	Wheel Assembly for Caddy #5	\$45.85
9986055	Hook for caddy # 2	\$16.27

Dolphin HD Parts

9995364	HD Motor Unit	\$1315.50
---------	---------------	-----------

Dolphin HD uses all parts in common to 3001.

Dolphin Dynamic Pro X Parts

Pro X parts not listed below are in common with other models listed above

Part	Dia.#	Description	Price
9995747LF	30	Cable Assembly 3 Wire	\$798.79
9995405	40	RCU	\$721.47
9995178	38	Outer Casing	\$242.47
9995332-EX	23	Rblt Motor-Exchange	\$1753.47
99955955	13	Wheel Tube Assembly	\$71.51
9985089	9	Pro X Side Plate no hole	\$36.28
9995051	25	Pro X Side Plate W/cable fit	\$36.28
9995135LF		PCB Assbly Dyn Reset	\$274.14
9995129RD		PCB Assbly Dyn Reset w/Indicator	\$265.31
9985066		W. Bearing Adaptor	\$14.53
9995665	39	Power Supply ProX	\$878.27
6101635	12	PVC Brush	\$49.99

Dolphin Bottom Lid-new style-spring loaded inlet flaps

Part #	Description	Price
9995550	Bottom lid assembly	\$102.08
9995892	Parts Kit for bottom lid	\$25.25

Contents of Parts kit are:

- 2x Spring/flap holder (#1)
- 2x Spring/for flap (#2)
- 2x Non-return flap (#5)
- 2x Locking plate (#7)
- 2x Plastic spring (#8)
- 2x Washer for locking plate (#9)
- 6x Screws for bottom lid (A)

