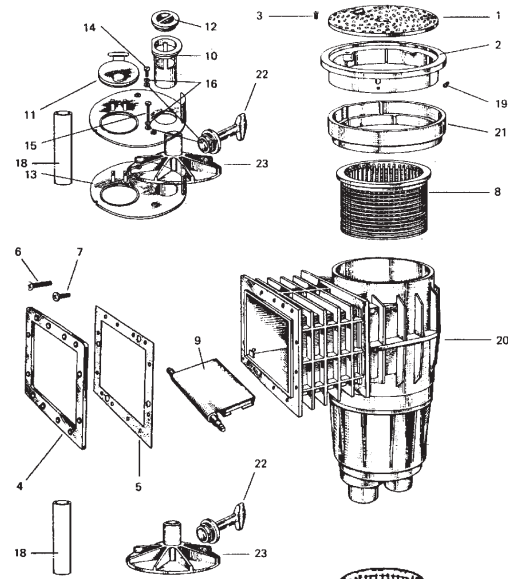


# SKIMMERS

## Jacuzzi PMT Skimmer

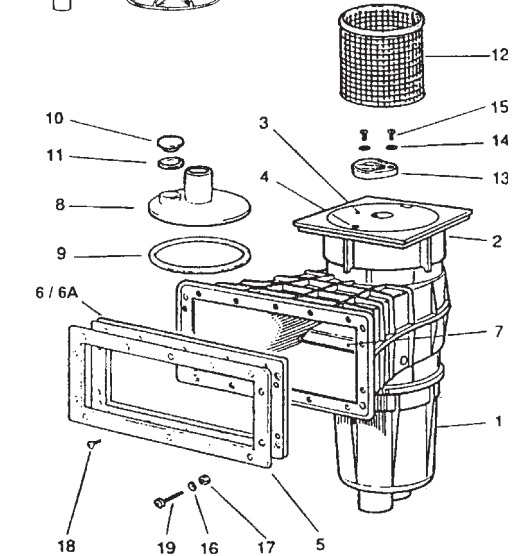
Item No	Part	Description	Price
15 06 01	1	Plastic cover	\$46.92
15 06 13	1	Bronze cover	\$130.50
15 06 02	8	Strainer basket	\$46.92
15 06 03	9	Weir assembly	\$50.17
15 06 04	10	Cylindrical valve	\$22.65
15 06 05	11	Flapper valve assembly	\$50.17
15 06 06	12	Valve plug	\$12.15
15 06 07	13	Valve plate assembly	\$79.29
15 06 08	14	Pan head screw 5/8" long	\$1.65
15 06 09	15	Pan head screw 1 5/8" long	\$4.95
15 06 10	16	Washer	\$1.95
15 06 11	17	Gasket	\$2.25



## Parts for WWF Skimmers

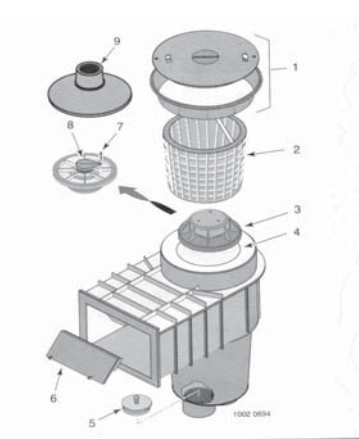
Item No	Part	Qty	Description	Price
21 06 23	3	1	Top Cover	\$42.10
21 06 24	4	1	Oval Head Screw	\$1.65
21 06 25	6	1	Face Flange WWFL	\$38.85
21 06 26	6	2	*Face Flange Gasket - pair	\$22.15
21 06 28	7	1	Weir Assembly	\$19.41
21 06 33	12	1	Strainer Basket Assembly	\$58.25
21 06 34	13	1	Trimmer Cover	\$5.35
21 06 35	14	2	Washer	\$2.10
21 06 36	15	2	Pan Head Screws #10x 3/4" LG	\$2.27
21 06 37	16	4	Washer WWFL	\$1.65
21 06 38	17	4	Nut 1/4-20 WWFL	\$2.59
21 06 39	18	14	Oval Screw 1/4-20x1/4" WWFL (14 x)	\$13.75
21 06 40	19	4	Pan Head Screw 1/4-20x1-1/8"L WWFI	\$12.45

\* Use 2 gaskets when double sided gasket is not used (prior to 1998)



## SwimQuip U-3 Skimmer

Item No	Part	Description	Price
15 07 01	1	Lid only	\$23.90
15 07 11	1	Bronze Cover	\$130.50
15 07 02		Frame for lid	\$23.20
15 07 03	2	Basket	\$29.40
15 07 04	3	Float valve assembly	\$34.65
15 07 05	4	O-Ring for float valve	\$18.45
15 07 07	6	Screw #8 x 3/8"	\$4.35
15 07 08	7	Std. Hinged weir assembly	\$27.05



## Bermuda Skimmer

Item No	Part	Description	Price
15 08 01	1	Screw	\$1.48
15 08 02	2	Lid	\$27.05
15 08 08	2	Bronze Lid	\$130.50
15 08 04	4	Basket	\$29.40
15 08 05	5	#8 screw 1/2"	\$0.32
15 08 06	6	Trimmer plate	\$5.85
15 08 07	7	Weir	\$22.15
15 08 09	9	Float Valve assembly	\$63.69

