

Spectrum Lifts come standard clockwise rotation. Specify when ordering.

Gallatin Swim-Lift WP400

The Gallatin is a Stainless Steel, water powered lift with a rated capacity of 400 pounds. The lift is ADA compliant. The standard version of this lift is designed to be used where the deck to pool floor distance is a minimum of 42 inches. The 12" WD (water draft) version is designed to work where the pool deck to floor or bench dimension is 12" or more. This is the lift that can be customized to accommodate almost any pool or spa Deck to Pool Bottom measurement. The bases and anchors are sold separately and there are two versions of each. The short base is used where anchors are located 18" to 24" from the pool edge, and the long base is used when anchors are located between 20" and 30" from the pool edge. The lift come standard with two armrests, one fixed and one flip up. Dual operating controls allow operation from the deck or from the pool. An adjustable headrest and footrest are also standard. With a five year warranty this is a great lift for new or retrofit installations.

A Measuring Guide for the Gutter and Pool Floor must accompany the order to make sure the correct base and lift modifications are incorporated. Please ask for one. Pricing is **FOB Factory**; please call for freight quotations to your facility.

Item No	Description	Model	Price
17 20 04	Gallatin WP 400	27336	\$5465.00
17 20 06	Short Base Gallatin/Lolo	26175	\$Incl.
17 20 07	Long Base Gallatin/Lolo	26176	\$Incl.
17 20 08	Gallatin/Lolo Preset Anchor	27450	\$495.00
17 20 09	Gallatin/Lolo Retrofit Anchor	27400	\$495.00
17 20 10	Gallatin/Lolo Cover	27364	\$295.65
17 20 11	Water Box for new constr.	20400	\$483.50

Lolo Swim Lift

The Lolo Swim Lift shares all of the same features as the Gallatin. In order to produce a very budget friendly lift the Lolo has been simplified to reduce costs. The actual differences are that the water powered lifting cylinder hangs down from the deck into the water and needs 42" of deck to pool bottom room, and this dimension cannot be customized as can the Gallatin. Essentially all other lift information remains the same. **FOB Factory**

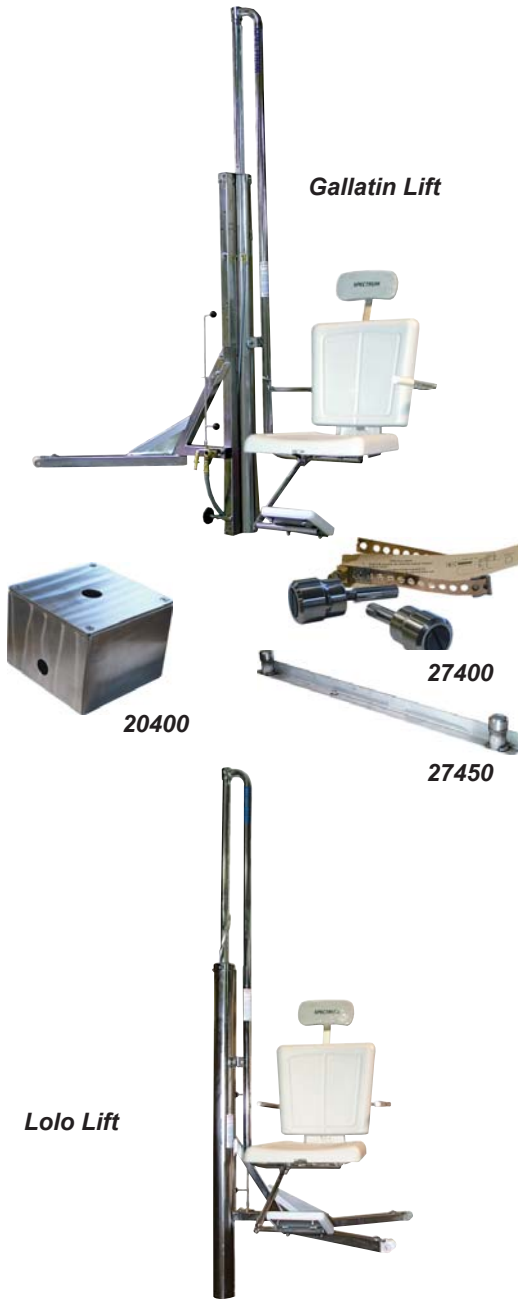
17 22 01	Lolo Lift WP400	27550	\$4550.00
----------	-----------------	-------	-----------

Revolution Lift

A great lift, loaded with features at a great price. This lift is easy to install. It uses a single anchor, (included) which must be cemented into the deck, and can accommodate 10-40 inches of setback. The load rating is 500 pounds, and this lift can clear a 30 inch high wall. The lift is battery powered, and comes with a full 360 degree powered rotation in both directions. Construction is stainless steel, powder coated white. The lift comes with dual flip-up arm rests, and a removable or adjustable foot rest. Options include a headrest, cover, and spare battery. A heavy lift, not easily moveable. **FOB Factory.**

Item No	Description	Price
17 23 15	Revolution Lift c/w anchor	\$6295.00
17 23 16	Revolution Cover	\$395.00
17 23 17	Revolution Headrest	\$285.00
17 23 18	Spare Battery	\$395.00
17 23 19	Spare Hand Control - specify 2 or 4 button	\$225.00
17 23 20	Transport Cart - when ordered with lift only	\$1650.00
17 23 21	Wheelchair Picker (22" wheelchair included)	\$4380.50
	When ordered with lift only	

Lifts and wheelchairs are HST, GST and PST Exempt.



Traveler II XRC 500 Lift - by Spectrum

This is Spectrum's portable lift and it is an excellent lift for retrofit into existing pools. The Traveler's innovative design works well for both the typical profile of a main pool and that of a swirl pool/hot tub. One Traveler can fulfil all of a facility's access lift requirements and Traveler is light and easy to move between locations by one lifeguard.

The Traveler works with an anchor in the deck, and is moved between locations on a dedicated cart. The Traveler meets all the access requirements under US ADA guidelines including a 500# lift rating and controls accessible by both user and attendant. A rechargeable DC battery supplies power.

Fabrication is 100% stainless steel and the Traveler is supported by a 5 year manufacturers warranty.

The Traveler XRC has wireless controls and includes the headrest and outer arm as standard equipment.

Call for product detail including: specifications, pictures and engineering documentation.

FOB Factory.

Item No	Description		Price
17 31 01	Traveler II XRC 500 Lift	26710	\$6895.00
17 31 02	Anchor	23638	\$186.00
17 31 03	Transport Cart	54523	\$1288.00
17 31 04	Cover	54377	\$401.50
17 31 08	Warner Linear Battery Gen 2 after 08/09	54494	\$295.00
17 31 05	Warner Linear Battery Gen 1 after 06/08	42254	\$425.00



Travellor Anchor



Linak Battery



Warner Linear Gen I



Warner Linear Gen II

Elkhorn and Aspen Lifts

For the budget minded these are the two lifts to consider. The Elkhorn is a manual lift, both up & down and side to side. It is rated at 400 pounds, and install easily in a single anchor. Construction is all stainless steel and this lift accommodates setbacks of 6" to 24". The Aspen is a similar lift, but upgraded with power rotation. The load rating is 350 pounds, and accommodates setbacks of 6" to 22" and water drafts of up to 12". Two remote controls, battery w/charger, footrest, armrests, headrest, and seat belt are included. Both lifts use the same anchor. The Aspen can also be ordered with a Mate to make a portable lift with all the same Aspen features, but a rating of 300 pounds.

FOB Factory

Item No.	Description	Model No.	Price
17 23 01	Elkhorn Lift - no anchor	28500	\$2385.00
17 23 02	Aspen Lift - no anchor	26010	\$3695.00
17 23 03	Anchor w/lid & key	28510	\$370.25
17 23 04	Aspen & Mate	42643	\$6745.00



Elkhorn Lift



Anchor 28510



Aspen Deluxe



Aspen Lift (New Style) with Mate



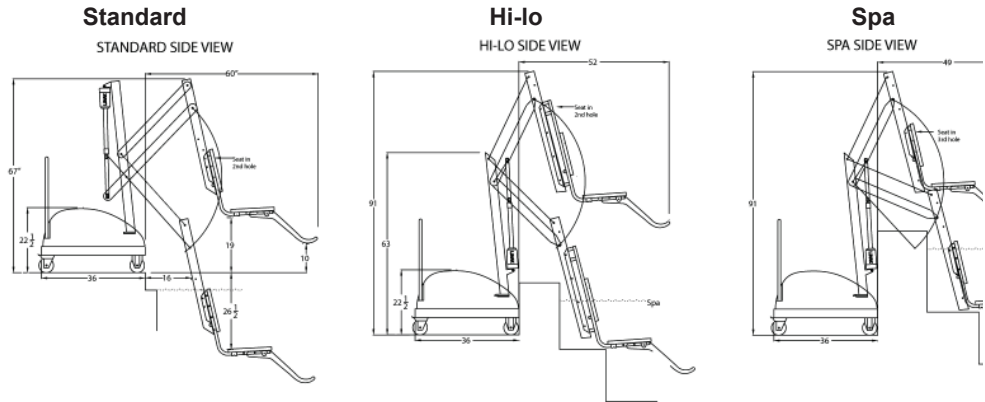
Pal-Portable Aquatic Lifts

Completely portable; use the PAL anywhere by wheeling it into place, locking the castors and setting the outrigger supports. No anchors required. The weight stack in the unit provides the counterbalance for a 300 pound capacity. The PAL is self-powered and uses a rechargeable 24 volt DC battery, with a waterproof case, normally good for about 30 use cycles. The control bar is also waterproof and accessible by the user or an attendant. The PAL is designed for use in pools where all pools are at deck level, and the PAL Hi-Lo has extra reach for facilities where the Hot Tub is raised above deck level. The PAL SPA is a unit for above ground Pools and Spas up to 48" above deck level. PALs come with battery, charger, console cover, waterproof control, footrest, and seatbelt assembly. Comes knocked down for shipping, some assembly is required. Note shipping weight is about 1,100 pounds. Pricing is **FOB Factory**, please call for a freight quote to your destination.

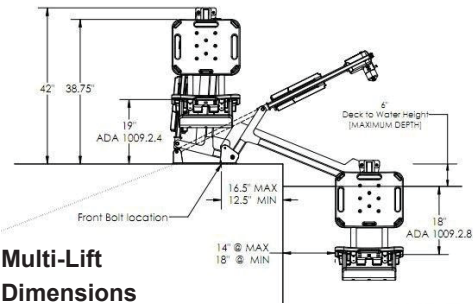


SR Smith New style battery chargers

Item No	Description	Price
17 10 01	PAL-Portable Aquatic Lift	\$6799.00
17 10 02	PAL-Portable Aquatic Lift with Armrests	\$7085.00
17 10 03	PAL Hi-Lo	\$6952.50
17 10 04	PAL Hi-Lo with Armrests	\$7236.50
17 10 05	PAL with Activation Key/Control Lock	\$6905.00
17 10 07	PAL SPA	\$6952.35
17 10 08	Spare Battery (recommended)	\$365.00
17 10 09	PAL Cover	\$510.60
17 10 10	Replacement Hand Control - 4 button	\$265.00



Pal Portable Aquatic Lift Dimensions



Multi-Lift Dimensions

Multi-lift, by S.R. Smith

The Multi-Lift by SR Smith is a simple, inexpensive Lift, that is ADA compliant (a US Regulation), and available at a price that makes Lift's very affordable. The Lift features a 350 pound capacity, ships very compactly, requires some assembly, and is designed for bolting to the deck. It is reversible for right or left hand installation so can be used on either side of the pool. It is powered Up & Down, but does not rotate during use, making it very simple to buy, use, and service, and requires a very small footprint on deck. The basic Lift is supplied with the following accessories. Anchor Jig, Flush Anchors, Battery, Charger, Seat Belt Assembly, Foot Rest, and Control Console Cover. The Lift can be upgraded with optional Armrests, Activation Key Control, (a key in the control panel that prevents unauthorized use), and a Wheel Set to make moving the unit easy. **Lift pricing is FOB factory.**

Item No	Description	Price
17 40 00	Multi-Lift #575-0000	\$3,199.00
17 40 01	Armrests, when purchased with lift	\$240.50
17 40 02	Activation Key Control, when purchased with lift	\$100.00
17 40 03	Wheel Set, when purchased with lift	\$145.00
17 40 04	Spare Battery #100-2000	\$365.00



Multi-Lift with optional armrests

New Lift Operator Control System

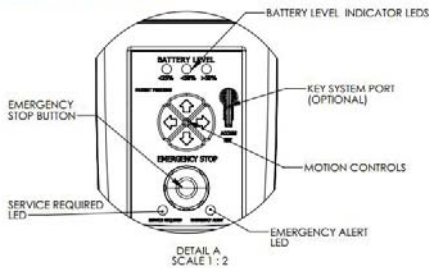
This unit is standard on all new SR Smith Lifts. As a Retrofit Package it consists of the mounting bracket, the Lift Operator, (Relay Box), a new battery, and a new charger. It offers an Emergency Stop Button, a second set of Motion Controls, the Optional Key System, Battery Level indicator, and Emergency Alert LED. It has the same sockets as the existing old style units, and the existing controls and power wires to the motors simply plug into the same spots on the new unit. The new Lift Operator is backwards compatible with all SR Smith Lifts and other lifts using Linak controls.



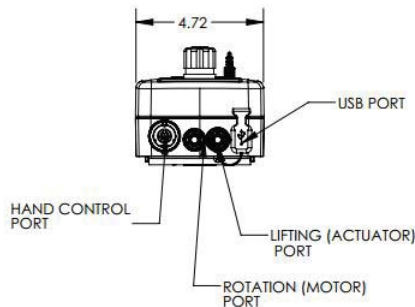
SR Smith Lift Operator Control

Item No.	Description	Model No.	Price
17 15 01	Two Button Control	1001540	\$654.35
17 15 02	Two Button Control w/key	1001545	\$788.90
17 15 03	Four Button Control	1001550	\$654.35
17 15 04	Four Button Control w/key	1001555	\$788.90

Close-Up Panel View



Bottom View



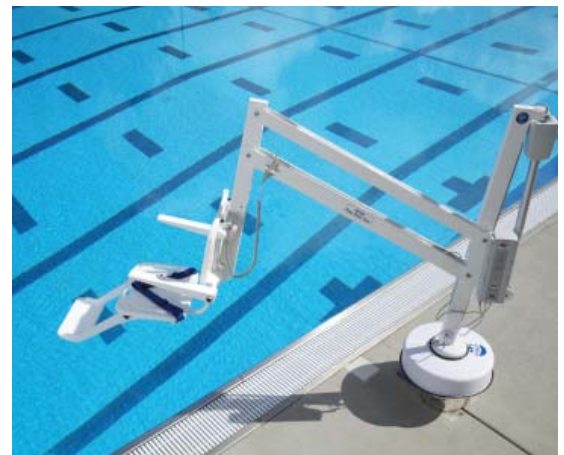
Splash Pool Lift

This lift is designed to be used in a deck anchor, but can be removed as required or used at multiple locations with extra anchors. The normal lift has a 400 pound weight limit. Materials of construction are stainless steel and aluminum, all powder coated. The standard lift includes the stainless steel anchor c/w cover, battery c/w charger and cover, waterproof control, footrest, armrests, and seatbelt assembly. Rotation is 360 degrees. The new Lift Operator Control System is standard. This lift can be customized (quoted on request, dimensions needed) for use in extended reach or height situations but the weight limit is reduced to 300 pounds by this. **Pricing is FOB Factory.**

Item No.	Description	Model No.	Price
17 15 20	Splash w/armrests	300-0005	\$5299.00
17 15 21	Caddy	400-0000	\$695.00
17 15 22	Anchor w/cap	300-6200	\$245.00
17 15 23	Lift Available Sign	900-5000	\$65.00



Splash Caddy



Splash Lift

Custom lifts for special applications are available. Please inquire.

Aquanaid's Mark I & Mark II are Discontinued! Parts only until 2020.



PARTS AVAILABLE

AQUANAIDS MARK II (OTTER): 350# rating; suitable for in ground pools.

Item No	Description
17 030 70	Plastic Seat for Mark II
Other parts POR	



PARTS AVAILABLE

AQUANAIDS MARK I LIFT: 350# rating; well built, in ground & above deck level pools.

Model	Price
BS112	\$228.75

ACCESS STEPS & LADDERS

Therapy Ladder (Missoula ladder)

The sloping design makes pool access user friendly at a very good price. Rails are stainless steel 1.5' OD for easier gripping. Units are custom made for your pool. Anchor sockets and escutcheons sold separately. **FOB Factory.**



Item No	Description	Model	Price
17 03 10	Therapy Ladder 3 step	25013	\$1245.00
17 03 11	Therapy Ladder 4 step	25019	\$1325.00
17 03 12	Therapy Ladder 5 step	25025	\$1465.00
17 03 15	Compression Anchor	24093	\$140.65
17 03 16	Compression Anchor Wrench	24094	\$58.95

This Therapy Ladder can be configured to work in deep water by being bent to return to the pool wall like a regular pool ladder.

Easy Ladder

These Ladders are custom made fiberglass pool ladders, designed for use where temporary extra access is required. Construction is one piece, with integral sides and risers. The Deck adapter is bolted on. They are designed to sit on the pool bottom and deck, snugly, and no extra anchoring is provided. The steps are 31" wide, riser height is 9 3/4" and tread width is 12", and non-skid. The ladder comes with a detachable set of wheels to make moving easier. Both corner and end wall models can be made. Two colours are available, yellow or blue. Ladders are custom made to dimensions provided, and trimmed to fit depth, floor slope, and coping as required. Some assembly is required. Hand-rails are stainless steel. Normally 2 people are needed to lift the ladder out of the pool. Dimensions noted are from pool bottom to deck level. **FOB Factory**



Item No	Description	Price
17 06 01	Easy Ladder, up to 48" 5 step	\$2615.00
17 06 02	Easy Ladder, 48" up to 58" 6 step	\$3105.00
17 06 03	Easy Ladder, 59" up to 68" 7 step	\$3435.00

Aqua Step HD - Pool Access Step

These are lightweight pool steps designed for use where temporary access is needed. Once lifted out of the pool one person can wheel it away on the integral wheels. Custom made to accommodate various pool depths, deck profiles, and bottom slopes, as per dimensions provided with order. The top steps come with brackets and fasteners to bolt the step to the deck, and can be customized. The treads are non-skid plastic, 10" deep and 30" wide, with ss braces for a 500 pound load. Handrails are plastic coated aluminum for strength and durability. The number of treads can be customized, but remember that riser height must be 10" or less. Treads are large and easy to climb but note that the handrails do not overhang over deck but stop at the end of the stairs, at the pool edge. The Aqua Step is shipped knocked down, some assembly is required. Sides are removable to make taking the stairs in and out easier, risers when installed are fixed. **FOB Factory**

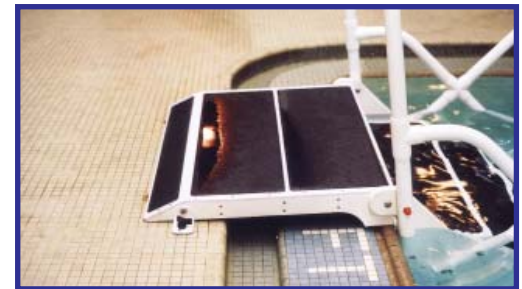
Item No	Description	Pool Depth	Price
17 05 01	Pool Access Steps 4 tread	34" to 45"	\$2815.00
17 05 02	Pool Access Steps 5 tread	41" to 55"	\$3405.00
17 05 03	Pool Access Steps 6 tread	48" to 64"	\$3625.00
17 05 07	Pool Access Steps 7 tread	56" to 74"	\$3875.00

Options And Parts:

17 05 04	Custom Top Step	POR
17 05 05	Replacement Standard Top Platform	\$595.00
17 05 08	Set of 2 Replacement Wheels	\$122.50
17 05 07	Replacement Step Plastic with SS brace 30" wide, replaces old style plastic or aluminium step	\$649.50

Optional Sides and Risers when ordered with a step.

17 05 15	Sides and Risers for 4 step	\$485.00
17 05 16	Sides and Risers for 5 step	\$535.00
17 05 17	Sides and Risers for 6 step	\$585.00
17 05 18	Sides and Risers for 7 step	\$635.00



Custom Top Step

Bozeman Therapy Steps

These are very solid stairs, securely anchored, but still easy to take out and roll away. The stainless steel rails are 1.5" OD by .120 wall, and held in compression anchors, (also ss) which are cemented into the deck, and grounded. The compression anchors tighten or loosen with a quarter turn, and the rails drop in or pull out. The treads are 12" deep and 31" wide, fiberglass T-bar, the same material as Duradeck Grating with non-skid finish, and ss Toe Guard. Four UHMW wheels and one UHMW bumper protect the pool bottom and wall. Rated at 400 pounds with a 1.5 safety factor. Poly netting is provided under the stairs and sides to avoid entrapment. These are made to order based on customers measurements to ensure proper fit. Risers may vary but be sure to order enough steps to keep this to 10" or less. Shipped knocked down, some assembly required. Two compression anchors and a wrench are needed, and sold separately. **FOB Factory**

Item No	Description	Model	Price
17 05 50	Bozeman 3 - Step	25101	\$3995.00
17 50 51	Bozeman 4 - Step	25201	\$4395.00
17 50 52	Bozeman 5 - Step	25301	\$4835.00
17 50 53	Compression Anchor (2 required)	24093	\$140.65
17 50 54	Anchor Wrench (1 required)	24094	\$58.95



NOTE: Sides and risers are now required in British Columbia.



TOT DOCKS

Deluxe Tot Dock

This Tot Dock was designed to be the most easily removed one on the market. It weighs just 53 pounds and with folding legs can be easily removed by one person. The platform is 38" wide and 60" long and the height is adjustable to 12", 14", or 16". It has a non-skid surface and optional 28" high hand rails are available. There are plastic bumpers on the edges to protect the pool edge, and with the folding legs can be easily stored flush against a wall taking up very little space. The tot dock is made of marine grade aluminum coated with a high visibility non-skid finish and the railings are aluminum reinforced PVC. Each Tot Dock comes with one long and one short rail.

Tot docks come with fasteners so that two or more can be fastened together to make larger platforms of any configuration.



Item No	Description	Price
17 30 02	Deluxe Tot Dock c/w 1 long & 1 short rail	\$1525.00
17 30 10	Optional side (short) rail	\$139.85
17 30 15	Optional front (long) rail	\$187.25
17 30 16	Set of 4 replacement legs	\$234.65
17 30 17	SS leg clips (each)	\$28.50



Teaching Platform by Spectrum

This Teaching Platform has a stainless steel frame, legs, handrails on two sides, and a Duradeck fibreglass platform. The handrails have a centre rail as do the legs, for added safety. The platform is 60" long by 38" wide, and can be from 18 1/4" to 25 1/4" high. Leg bottoms are protected by rubber bumpers, and multiple teaching platforms can be fastened together to provide larger platforms. Excellent quality and durability, this is the unit recommended for salt chlorinated pools. Units weigh 153 pounds each.

Item No	Description	Price
17 30 40	Teaching Platform 82300	\$2425.00



INFANT CHANGING TABLES

Child Protection Seat

Koala's child protection seat can be mounted anywhere an adult with toddler may need free hands. Mount a child protection seat in a bathroom stall, changing area or shower area so parents with little ones can have a few minutes of secure, clean, hands off supervision.

The child protection seat is rated for loads to 150 lbs., it requires less than 2 square feet of wall surface and when closed, it extends just 6 inches from wall.

Item No	Description	Price
17 09 01	Koala Child Protection Seat	\$115.00
17 09 02	Replacement Strap	\$25.05

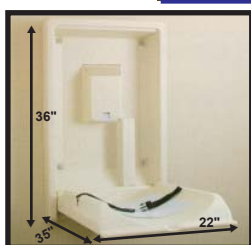


Baby Change Table

Probably the best-known name in changing stations Koala sets the standard for durability and safety. Koala station is tested to 400 lbs its all-plastic exterior is very long lasting in aquatic center environment. Instructions molded onto the casing.

Item No	Description	Price
17 08 01	Koala Baby Change Station Horizontal or vertical - no lock	\$375.00

Replacement Parts and Supplies		
17 08 02	Box of 500 paper liners	\$95.50
17 08 03	Door labels	\$12.55
17 08 04	Shock absorber vertical or horizontal	\$33.40
17 08 05	Safety straps vertical or horizontal	\$25.05



Aquatic Wheel Chair (Stainless Steel)

Our aquatic wheelchair is designed for use in shower areas on the deck and even in the pool. It works with a lift or a ramp to provide facility access from the change room to pool deck and back. An aquatic wheelchair eliminates one more barrier for use of aquatic centres.

USERS APPRECIATE

The wheelchair is most similar in style and function to a traditional wheelchair.

OPERATORS APPRECIATE

The low maintenance design and durability.

All chairs are fabricated from materials 100% compatible with swimming pool water. These chairs are suitable for daily immersion in swimming pool water.

The heavy-duty Aquatic Wheelchair is rated at 350 lbs. using a double cross braced stainless steel frame. The 24" wheel chair is rated for 500 lbs. Thoughtful features include: frame tubing that is bent in a radius to eliminate sharp corners and wheels (both front and back) are tough plastic 'mag' style wheels with non-pneumatic tires to eliminate maintenance.

Upholstery fabric is a mesh material treated to be both anti-fungal and anti-mildew. Arm rests swing up out of the way for transfers and footrests will fold up or can be removed for versatility. Chair is supplied with upper chest strap and lower nylon seat belts.

Order in one of three seat widths - 16" youth, 18" adult or 20" large adult

Item No	Description	Price
17 03 03	Heavy Duty Aquatic Wheel Chair - 16", 18" or 20"	\$2150.00
17 03 10	Heavy Duty Aquatic Wheel Chair - 24"	\$2400.00



24 inch

18 inch

20 inch

Lifts and wheelchairs are HST, GST and PST Exempt.

Aquatec Shower/Commode Chairs

This line of chairs is made of powder coated stainless steel, pvc, and vinyl, and can easily withstand submersion into the Pool or Hot Tub. The Ocean Standard Chair has a weight limit of 285 pounds, a seat depth of 18", seat width of 19", and seat height of 19-24". Even with the 24" rear wheels for self propelling this chair is only 26 1/2" wide. The XL version has an upgraded weight limit of 330 pounds, and increased width between armrests from 18" on the Standard model to 21" on the XL. The chairs come with height adjustable, swing away, or removeable footrests, and include the commode pan and lid. If not used these just unclip. The 5" castors have wheel and swivel locks, and the large self propelled wheels also have locks. All surfaces are smooth, easy to clean, and detachable. The chairs can be upgraded with a Soft Seat, and an Insert for the hygiene recess, depending on intended use. Chest Belt and Seat (Pelvic) Belts are available as options and include mounting hardware. The chairs come knocked down to save on freight, some assembly required. Accessories to be ordered with chair, otherwise there may be additional freight charges. Want one chair to do it all, consider the Ocean XL with 24" Rear Wheels, and some accessories.

Item No	Description	Price
7.10.900KIT	Ocean Standard	\$985.00
7.12.900KIT	Ocean SP, w/ 24" Rear Wheels	\$1365.00
7.13.900KIT	Ocean XL	\$1245.00
OCEAN XL & SP	Ocean XL SP, w/ 24" Rear Wheels	\$1895.00
16341	Soft Seat with recess	\$185.40
16343	Insert for Soft Seat recess	\$120.60
1470082	Pelvic (Seat) Belt w/hardware	\$162.00
1470081	Chest Belt w/hardware	\$152.10

Shower / Commode Chairs are HST, GST, and PST exempt.



Soft Seat with Insert



Pelvic/Seat & Chair Belt



Ocean Standard



Ocean XL SP