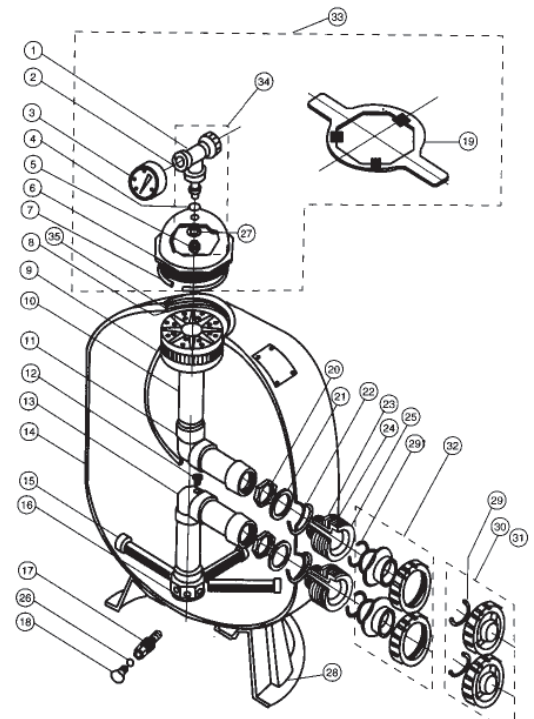


Triton Filter Replacement Parts

Item No	Item	Description	Price
11 03 01	#1	Air Bleeder/Tee Assembly	\$29.52
11 03 02	#2	Adaptor - Brass Air Bleeder	\$12.29
11 03 03	#3	Gauge - Back mount pressure	\$18.50
11 03 04	#4	O-Ring - Air Bleeder adapter	\$1.85
11 03 05	#5	Nut - 3/8" - 316SS	\$1.80
11 03 06	#6	Closure - 6" Butress thread (See detail A)	\$85.10
11 03 08	#7	O-Ring - Closure	\$5.50
11 03 09	#8	Strainer - Air relief	\$14.50
11 03 10	#9	Tube - Air relief TR40	\$20.00
11 03 11	#9	Tube - Air relief TR50/60	\$20.00
11 03 12	#9	Tube - Air relief TR100	\$18.55
11 03 13	#9	Tube - Air relief TR140	\$22.95
11 03 14	#10	Diffuser assembly TR40/50	\$53.25
11 03 15	#10	Diffuser assembly TR60	\$53.25
11 03 16	#10	Diffuser assembly TR100	\$53.25
11 03 17	#10	Diffuser assembly TR140	\$54.85
11 03 18	#12	Connector - Air relief tube	\$13.95
11 03 20	#15	Lateral - 6-11/16" L TR40/50/60	\$9.25
11 03 21	#15	Lateral - 9-1/8" L TR100	\$10.25
11 03 23	#15	Lateral - 12" L TR140	\$21.35
11 03 24	#16	Hub - Lateral TR 40/50/60	\$32.55
11 03 25	#16	Hub - Lateral TR 100/140+C	\$109.05
11 03 26	#17	Spigot - 3/4" NPT Sand Drain	\$27.00
11 03 28	#18	Plug - 1/2" NPT Drain Large Wing	\$1.95
11 03 29	#18	Plug - 1/4" NPT Drain 83-96	\$7.15
11 03 31	#19	Wrench closure aluminium 6"	\$199.80
11 03 32	#20	Locknut - 2" internal	\$10.20
11 03 33	#21	Spacer - 2" internal	\$14.85
11 03 34	#22	O-Ring - 2" bulkhead	\$2.70
11 03 35	#23	Spacer - 2" external	\$14.85
11 03 36	#24	Gasket - 2" bulkhead	\$2.25
11 03 37	#25	Bulkhead - 2" fitting	\$76.10
11 03 38	#26	O-Ring, drain plug	\$1.30
11 03 39	#27	Washer - 3/8" SS	\$1.25
11 03 40	#35	Spacer - Air vent strainer 3-3/4" - TR40	\$6.70
11 03 41	#35	Spacer - Air vent strainer 4-1/2" - TR50/60	\$6.70
11 03 42	#35	Spacer - Air vent strainer 5-1/2" - TR100	\$6.70
11 03 43	#35	Spacer - Air vent strainer 5" - TR140	\$6.70
11 03 44	#29	O-Ring - Valve adaptor	\$5.01
11 03 45	#30	2" Threaded adaptor kit (pair)	\$60.90
11 03 46	#31	1-1/2" Threaded adaptor kit (pair)	\$60.90
11 03 47	#32	1-1/2" & 2" Slip adaptor kit (pair)	\$60.90

Replacement Dial Valves Pre-plumbed For Triton filters

11 03 51	Pac Fab (Praher) 1 1/2" SM10-PP3	\$138.05
11 03 52	Pac Fab (Praher) 2" SM20-PP3	\$190.60



Black Tank



Detail A, (after 12/1/91)
6 in. btr. Thread.



Pre-plumbed dial valve for Triton filter.