

## Pac Fab Hydropump - Complete

Pac Fab's Hydropump offers a good design that has proven itself in the field for years. Parts are readily available, generally inexpensive and the pump is easy to work on. Key features include:

- Super strong injection molded plastic has a high content of glass fibre for strength and durability. The plastic will not melt even at 212° F.
- Open face impeller handles debris without clogging
- Designed for self priming & quiet operation
- Bronze shaft extension permits removal of motor without disturbing plumbing
- Large strainer basket with clear Lexan top is great for commercial applications

Item No	Series	HP	Voltage	Price
11 15 01	590	1/2	115/230	\$813.50
11 15 02	590	3/4	115/230	\$882.60
11 15 03	590	1	115/230	\$930.35
11 15 04	590	1 1/2	115/230	\$1110.15
11 15 05	590	2	230 only	\$1245.65
11 15 06	700	3/4	115/230	\$918.25
11 15 07	700	1	115/230	\$965.00
11 15 08	700	1 1/2	115/230	\$1144.25
11 15 09	700	2	230 only	\$1278.50

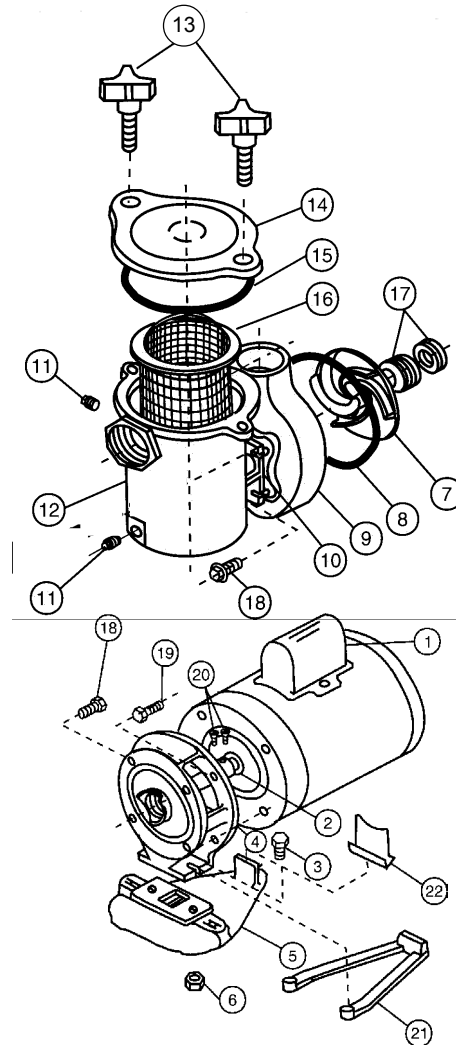
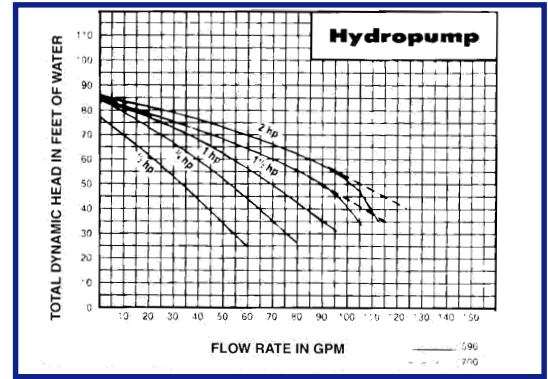
590 series pumps have a 5" strainer pot and 1½" suction and discharge ports.  
Series 700 have a 6" strainer pot and 2" suction port and 1½" discharge port.

## Hydropump Wet Ends Only

Item No	Series	HP	Price
11 16 01	RPF-590	½ up to 2 H.P.	\$525.55
11 16 02	RPF-700	¾ up to 2 H.P.	\$563.75

## Hydropump Replacement Parts

Item No	No.	Description	Price
11 17 01	2	Extension-Bronze shaft	\$44.48
11 17 02	3	Screw-3/8" - 16x1¼" Cap	\$2.77
11 17 03	4	Bracket Seal	\$109.68
11 17 04	5	Base-Tripod pump	\$36.41
11 17 05	6	Nut - 3/8" - 16 Hex	\$2.21
11 17 07	7	Impeller - ½F	\$69.65
11 17 08	7	Impeller - ¾F	\$69.65
11 17 09	7	Impeller - 1F	\$69.65
11 17 10	7	Impeller - 1½F	\$69.65
11 17 11	7	Impeller - 2F	\$69.65
11 17 12	7	Impeller - 3F	\$72.86
11 17 13	8	O-Ring Volute	\$7.95
11 17 14	9	Volute	\$282.02
11 17 15	10	O-Ring	\$6.52
11 17 16	11	Plug - ¼" NPT Pipe	\$7.15
11 17 17	12	Pot - 590 Plastic strainer	\$190.04
11 17 18	12	Pot - 700 Plastic strainer	\$402.70
11 17 19	13	Knob	\$17.89
11 17 20	14	Lid - 590 Clear plastic	\$66.75
11 17 21	14	Lid - 700 Clear plastic	\$92.20
11 17 24	15	O-Ring - 590 Lid	\$6.85
11 17 25	15	O-Ring - 700 Lid	\$8.76
11 17 26	16	Basket w/Handle - 590 Plastic	\$16.15
11 17 27	16	Basket w/Handle - 700 Plastic	\$38.95
11 17 28	17	Seal - ¾ Mechanical	\$18.00
11 17 29	18	Screw - 5/16" - 18 Hex washer head	\$2.21
11 17 30	19	Screw - 3/8" - 16 1" SS Cap	\$2.74
11 17 31	20	Screw - ¼" - 20 x 3/8" SS Set	\$1.85
11 17 32	21	Outrigger - Motor	\$13.25
11 17 34		Suction Flange	\$38.75



NOTES  
WHEN ORDERING REPLACEMENT MOTOR, GIVE ALL INFORMATION CONTAINED ON MOTOR NAME PLATE.