

# COMMERCIAL HI RATE SAND FILTERS

## REPLACING ? UPGRADING? OR NEW SYSTEM? WE CAN HELP !!

Commercial Aquatic Supplies can provide product and price information for your application. We can also make product recommendations to suit your facility - Call for assistance with both equipment replacement or upgrades, as well as new systems. To receive an equipment or system quotation, provide us with your present equipment specifications, pump size, pool capacity and any relevant physical criteria (space, doorways, etc.). We will be happy to provide a quotation complete with equipment specifications.



### Miami High Rate Sand Filters

Want good water quality, then these are your filters! Miami filters feature 36" of sand depth for the best filtration obtainable from sand filters. Internal piping and laterals are schedule 80 and heavy duty, to eliminate lateral changes, and digging up all that sand. The under drain assembly is a special design, (patented), to ensure proper circulation through the whole tank, to eliminate septic conditions due to stagnant spots, (unchlorinated), inside the lower tank. The tanks are filament wound fibreglass for strength, and polyester lined for corrosion and abrasion resistance. All tanks are NSF 50 approved, and have a 16" man-way for service access, a 4" media dump port, and a 3/4" screened water drain. These filters are rated at 15 gallons per square foot per minute, but we recommend 10-12 USGPM for optimal performance. Filter shown at right includes **optional** face piping. They are supplied with a gauge panel, and sold FOB factory.

Due to oil, prices subject to change without notice. Please call.

## Capacity and Ordering Information

Filter Item No	Sq.Ft. of Model	per Filter Area	Gallons		LBS		PRICE
			Pipe Minute	#12 Filter Size	Gravel	#20 Filter Sand	
11 01 01	42"D	9.6	144	3"	600	2200	\$POR
11 01 02	48"D	12.6	189	4"	1000	2500	\$POR
11 01 03	54"D	15.9	238	4"	1400	3000	\$POR
11 01 04	60"D	19.6	294	4"	1600	4000	\$POR
11 01 05	72"D	28.3	424	6"	2800	5000	\$POR
11 01 06	78"D	33.2	498	6"	3300	6200	\$POR
11 01 07	90"D	44.2	663	6"	4700	11200	\$POR

Other sizes on request

### PAC FAB Triton II Sand Filters

Pac Fab's Triton fibreglass filters are rated for public pool use and are easily adaptable to multi unit installations. Tritons are commonly used on Whirlpools, Tot Pools, and smaller Institutional Pools. This filter offers the best price point for a fibreglass commercial filter.

Key advantages of Triton Filters include: it is a proven filter (with literally thousands of installations in place), parts are readily available (and reasonably priced), and Tritons are straightforward to work on. Filters are supplied complete, only the filter media needs to be ordered separately.

Specification sheets are available. Pac Fab also makes 'commercial' & 'heavy-duty' versions of the Triton.



## Capacity and Ordering Information

Item Number	Model	Pump Size	Sq.Ft. of Filter Area	15GPM per Sq.Ft. Ft. Rate	Gallons per 6 Hours	LBS		*PRICE
						#20 Filter Sand		
11 02 10	TR-40 18"D	1/2 or 3/4hp	1.92	29	10440	175lbs	\$714.75	
11 02 11	TR-50 21"D	3/4 or 1hp	2.46	37	13320	225lbs	\$778.65	
11 02 12	TR-60 24"D	1 or 1 1/2hp	3.14	47	16920	325lbs	\$926.65	
11 02 13	TR-100 30"D	1 1/2 or 2hp	4.91	74	26640	600lbs	\$1253.35	
11 02 15	TR-100C	1 1/2 or 2hp	4.91	74	26640	600lbs	\$1273.71	
11 02 14	TR-140 36"D	2 to 3hp	7.06	106	38160	925lbs	\$1714.10	
11 02 16	TR-140C	2 to 3hp	7.06	106	38160	925lbs	\$1789.25	

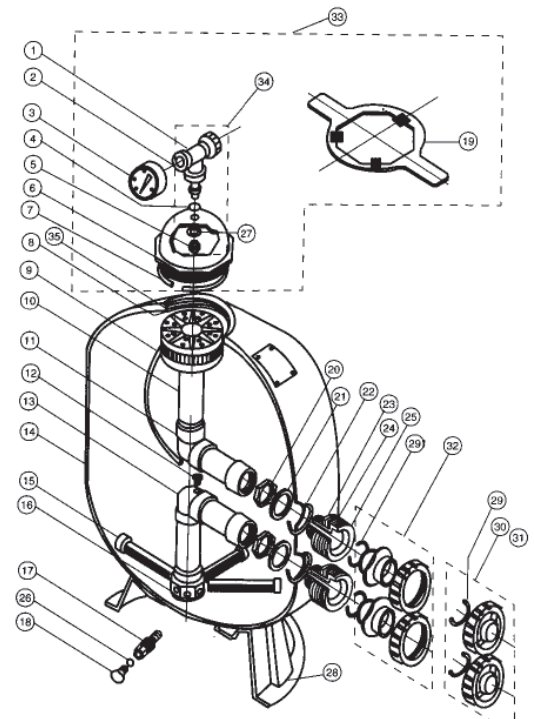
\*Pricing includes filter and matching pre-plumbed dial valve.

## Triton Filter Replacement Parts

Item No	Item	Description	Price
11 03 01	#1	Air Bleeder/Tee Assembly	\$29.52
11 03 02	#2	Adaptor - Brass Air Bleeder	\$12.29
11 03 03	#3	Gauge - Back mount pressure	\$18.50
11 03 04	#4	O-Ring - Air Bleeder adapter	\$1.85
11 03 05	#5	Nut - 3/8" - 316SS	\$1.80
11 03 06	#6	Closure - 6" Butress thread (See detail A)	\$85.10
11 03 08	#7	O-Ring - Closure	\$5.50
11 03 09	#8	Strainer - Air relief	\$14.50
11 03 10	#9	Tube - Air relief TR40	\$20.00
11 03 11	#9	Tube - Air relief TR50/60	\$20.00
11 03 12	#9	Tube - Air relief TR100	\$18.55
11 03 13	#9	Tube - Air relief TR140	\$22.95
11 03 14	#10	Diffuser assembly TR40/50	\$53.25
11 03 15	#10	Diffuser assembly TR60	\$53.25
11 03 16	#10	Diffuser assembly TR100	\$53.25
11 03 17	#10	Diffuser assembly TR140	\$54.85
11 03 18	#12	Connector - Air relief tube	\$13.95
11 03 20	#15	Lateral - 6-11/16" L TR40/50/60	\$9.25
11 03 21	#15	Lateral - 9-1/8" L TR100	\$10.25
11 03 23	#15	Lateral - 12" L TR140	\$21.35
11 03 24	#16	Hub - Lateral TR 40/50/60	\$32.55
11 03 25	#16	Hub - Lateral TR 100/140+C	\$109.05
11 03 26	#17	Spigot - 3/4" NPT Sand Drain	\$27.00
11 03 28	#18	Plug - 1/2" NPT Drain Large Wing	\$1.95
11 03 29	#18	Plug - 1/4" NPT Drain 83-96	\$7.15
11 03 31	#19	Wrench closure aluminium 6"	\$199.80
11 03 32	#20	Locknut - 2" internal	\$10.20
11 03 33	#21	Spacer - 2" internal	\$14.85
11 03 34	#22	O-Ring - 2" bulkhead	\$2.70
11 03 35	#23	Spacer - 2" external	\$14.85
11 03 36	#24	Gasket - 2" bulkhead	\$2.25
11 03 37	#25	Bulkhead - 2" fitting	\$76.10
11 03 38	#26	O-Ring, drain plug	\$1.30
11 03 39	#27	Washer - 3/8" SS	\$1.25
11 03 40	#35	Spacer - Air vent strainer 3-3/4" - TR40	\$6.70
11 03 41	#35	Spacer - Air vent strainer 4-1/2" - TR50/60	\$6.70
11 03 42	#35	Spacer - Air vent strainer 5-1/2" - TR100	\$6.70
11 03 43	#35	Spacer - Air vent strainer 5" - TR140	\$6.70
11 03 44	#29	O-Ring - Valve adaptor	\$5.01
11 03 45	#30	2" Threaded adaptor kit (pair)	\$60.90
11 03 46	#31	1-1/2" Threaded adaptor kit (pair)	\$60.90
11 03 47	#32	1-1/2" & 2" Slip adaptor kit (pair)	\$60.90

### Replacement Dial Valves Pre-plumbed For Triton filters

11 03 51	Pac Fab (Praher) 1 1/2" SM10-PP3	\$138.05
11 03 52	Pac Fab (Praher) 2" SM20-PP3	\$190.60



**Black Tank**



Detail A, (after 12/1/91)  
6 in. btr. Thread.



Pre-plumbed dial valve for Triton filter.