

LMI PUMP PARTS

When ordering please have your pump model number and tube size available.

Liquiframs (9)

| Item No | Part No. | Description | Price |
|----------|----------|------------------------|----------|
| 12 11 01 | 10102 | .9 Hypalon | \$57.00 |
| 12 11 02 | 10105 | 1.8 Hypalon | \$58.90 |
| 12 11 03 | 30916 | .5 PFA | \$64.60 |
| 12 11 04 | 30917 | .9 PFA + 300 series | \$76.00 |
| 12 11 05 | 31420 | 1.8 PFA+ 300 series | \$83.60 |
| 12 11 06 | 31419 | 3.0 PFA+ 300 series | \$110.20 |
| 12 11 24 | 10973 | Shaft seal (not shown) | \$6.70 |

SS Spring

| | | | |
|----------|-------|---------|--------|
| 12 11 37 | 37341 | Springs | \$7.75 |
|----------|-------|---------|--------|

Injectors (1)

| | | | |
|----------|-------|------------------------------------|----------|
| 12 11 07 | 25687 | Injector 1/2" | \$91.20 |
| 12 11 08 | 10501 | Injector 3/8" | \$83.60 |
| 12 11 09 | 30919 | Injector 1/4" | \$117.80 |
| 12 11 10 | 27352 | Flapper valve | \$10.10 |
| 12 11 11 | 10294 | Injector body | \$25.30 |
| 12 11 12 | 38026 | Injector 3/8 300 series | \$85.50 |
| 12 11 13 | 37351 | Injector body 3/8 300 series | \$39.70 |
| 12 11 14 | 37349 | Injector valve assembly 300 series | \$17.90 |

Coupling Nuts (14)

| | | | |
|----------|-------|-------------------|---------|
| 12 11 15 | 10411 | Coupling Nut 1/2" | \$10.30 |
| 12 11 16 | 10299 | Coupling Nut 3/8" | \$7.00 |

Seal Rings

| | | | |
|----------|-------|--------------------------|---------|
| 12 11 17 | 10128 | Seal Ring LE20 | \$11.80 |
| 12 11 18 | 10107 | Seal Ring Neoprene Black | \$11.80 |
| 12 11 19 | 10407 | Seal Ring Teflon White | \$11.80 |
| 12 11 20 | 29443 | Seal Ring 3 Part Black | \$10.80 |

Discharge Valve Housing

| | | | |
|----------|-------|-----------------------------------|---------|
| 12 11 21 | 10493 | Discharge Valve Housing 1/2" | \$30.80 |
| 12 11 22 | 10293 | Discharge Valve Housing 3/8" | \$24.30 |
| 12 11 23 | 30375 | Discharge Valve Housing 1/4" | \$15.20 |
| 12 11 25 | 27513 | Discharge Valve Housing Autoflush | \$66.50 |

Valve Body 300 Series (12)

| | | | |
|----------|-------|---------------------------|---------|
| 12 11 26 | 37763 | Valve Body 1/4 300 series | \$15.20 |
| 12 11 27 | 37765 | Valve Body 3/8 300 series | \$15.20 |
| 12 11 28 | 37767 | Valve Body 1/2 300 series | \$15.20 |

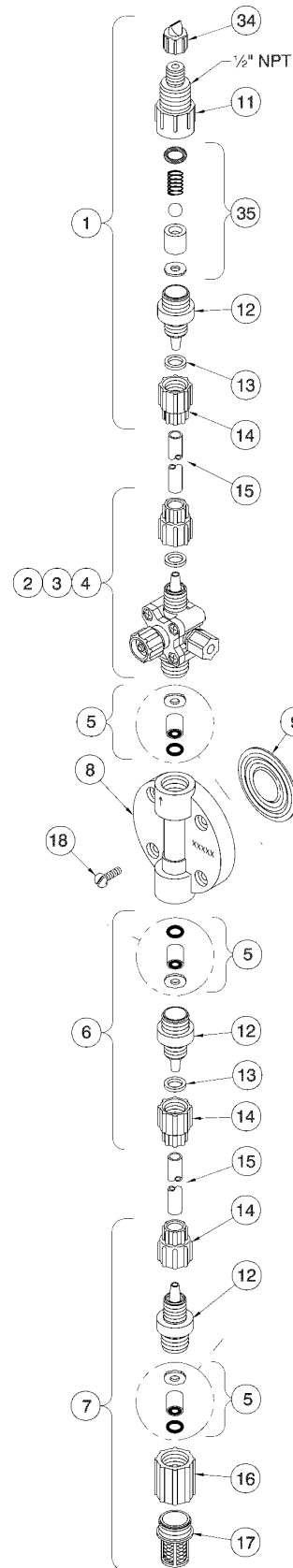
Foot Valve Assembly (7)

| | | | |
|----------|-------|--------------------------------------|----------|
| 12 11 30 | 25204 | Foot Valve Assembly 1/2" | \$83.60 |
| 12 11 31 | 27603 | Foot Valve Assembly 3/8" | \$74.10 |
| 12 11 32 | 30921 | Foot Valve Assembly 1/4" | \$66.50 |
| 12 11 33 | 25492 | Foot Valve Assembly Autoflush | \$110.20 |
| 12 11 34 | 10978 | Valve seat (#16) | \$15.40 |
| 12 11 35 | 38032 | Foot valve 3/8 300 series | \$76.00 |
| 12 11 36 | 36204 | Foot valve coupling 300 series (#12) | \$27.60 |

Clamp Rings (13)

| Item No | Part No. | Description | Price |
|----------|----------|----------------------------|--------|
| 12 11 38 | 26136 | Clamp Rings 3/8" | \$0.40 |
| 12 11 39 | 28663 | Ferrules 1/4" + 300 series | \$1.30 |
| 12 11 40 | 37203 | Clamp Ring 1/2" | \$1.30 |

Typical Liquid End



Repair Centre for LMI Pumps:
 Commercial Aquatic Supplies is a factory
 authorized warranty and repair centre
 for LMI Pumps and stock all common
 replacement parts.