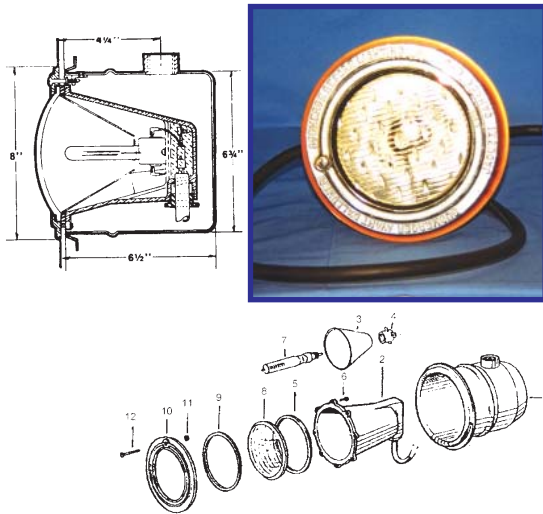


UNDERWATER LIGHTS

SwimQuip Underwater Light

Item No	Part	Description	Price
15 15 01	1	Lock nut 10-32	\$1.30
15 15 02	2	#10 Lockwasher	\$0.85
15 15 03	3	Bulb 500W 130V 1996 onward	\$32.00
15 15 05	4	Lens gasket	\$60.00
15 15 06	5	Clear lens	\$103.00
15 15 07	6	E-Ring	\$6.40
15 15 08	7	SS face ring	\$287.00
15 15 09	8	Retaining screw	\$8.60
15 15 10		Replacement light 25' cord - no niche	\$412.00



Jacuzzi Underwater Light

No new lights are available. Rebuilds only. Send in your old light, (without the cord) together with cord length and wattage of bulb required and it will be rebuilt and returned. Prices vary, depending on parts/work required, and cord length. Generally \$350.00 - \$500.00.

Item No	Part	Description	Price
15 16 03	1	Niches	\$403.60
15 16 04	3	Reflector	\$14.65
15 16 05	4	Receptacle	\$53.40
15 16 06	5	Gasket - Thick	\$11.10
15 16 07	6	Screw, pan head	\$2.45
15 16 08	7	Light bulb, 500W	\$51.65
15 16 09	7	Light bulb, 250W	\$43.15
15 16 10	8	Lens, clear	\$67.96
15 16 11	9	Gasket - Thin	\$15.70
15 16 12	10	Face ring	\$238.76
15 16 13	11	Retaining clip	\$3.25
15 16 14	12	Screw, oval head	\$3.79
15 16 15		Spring clip	\$17.95
15 16 16		Niche Screw receptacle	\$24.50



American Products Pool Light

Item No	Part	Description	Price
15 17 01		Light less niche 15' cord	\$359.25
15 17 03	4	Face Ring Assembly	\$110.75
15 17 06	11	Wire Clamp Assembly	\$69.15
15 17 07	12	Lense - clear	\$35.70
15 17 08	13	Lense Gasket	\$35.52
15 17 09	14	Bulb 500w	\$41.85
15 17 10	14	Bulb 300w	\$41.85

Hydrel Underwater Lights

Item No	Description	Price
15 19 01	Lense 8 1/2" D	\$38.25
15 19 03	Double sided gasket	\$68.50
15 19 04	Flat Gasket	\$55.00
15 19 02	9 1/8 OD x 8 7/16 ID x 5/16 thick L Gasket "Single Sided Gasket"	\$68.50



**Pool light rebuilding available -
return your old light for a quote**