

AQUATIC ACCESS EQUIPMENT

Spectrum Lifts come standard clockwise rotation. Specify when ordering.

Gallatin Swim-Lift WP400

The Gallatin is a Stainless Steel, water powered lift with a rated capacity of 400 pounds. The lift is ADA compliant. The standard version of this lift is designed to be used where the deck to pool floor distance is a minimum of 42 inches. The 12" WD (water draft) version is designed to work where the pool deck to floor or bench dimension is 12" or more. This is the lift that can be customized to accommodate almost any pool or spa Deck to Pool Bottom measurement. The bases and anchors are sold separately and there are two versions of each. The short base is used where anchors are located 18" to 24" from the pool edge, and the long base is used when anchors are located between 20" and 30" from the pool edge. The lift come standard with two armrests, one fixed and one flip up. Dual operating controls allow operation from the deck or from the pool. An adjustable headrest and footrest are also standard. With a five year warranty this is a great lift for new or retrofit installations.

A Measuring Guide for the Gutter and Pool Floor must accompany the order to make sure the correct base and lift modifications are incorporated. Please ask for one. Pricing is **FOB Factory**; please call for freight quotations to your facility.

Item No	Description	Model	Price
17 20 04	Gallatin WP 400	27336	\$5465.00
17 20 06	Short Base Gallatin/Lolo	26175	\$Incl.
17 20 07	Long Base Gallatin/Lolo	26176	\$Incl.
17 20 08	Gallatin/Lolo Preset Anchor	27450	\$495.00
17 20 09	Gallatin/Lolo Retrofit Anchor	27400	\$495.00
17 20 10	Gallatin/Lolo Cover	27364	\$295.65
17 20 11	Water Box for new constr.	20400	\$483.50

Lolo Swim Lift

The Lolo Swim Lift shares all of the same features as the Gallatin. In order to produce a very budget friendly lift the Lolo has been simplified to reduce costs. The actual differences are that the water powered lifting cylinder hangs down from the deck into the water and needs 42" of deck to pool bottom room, and this dimension cannot be customized as can the Gallatin. Essentially all other lift information remains the same. **FOB Factory**

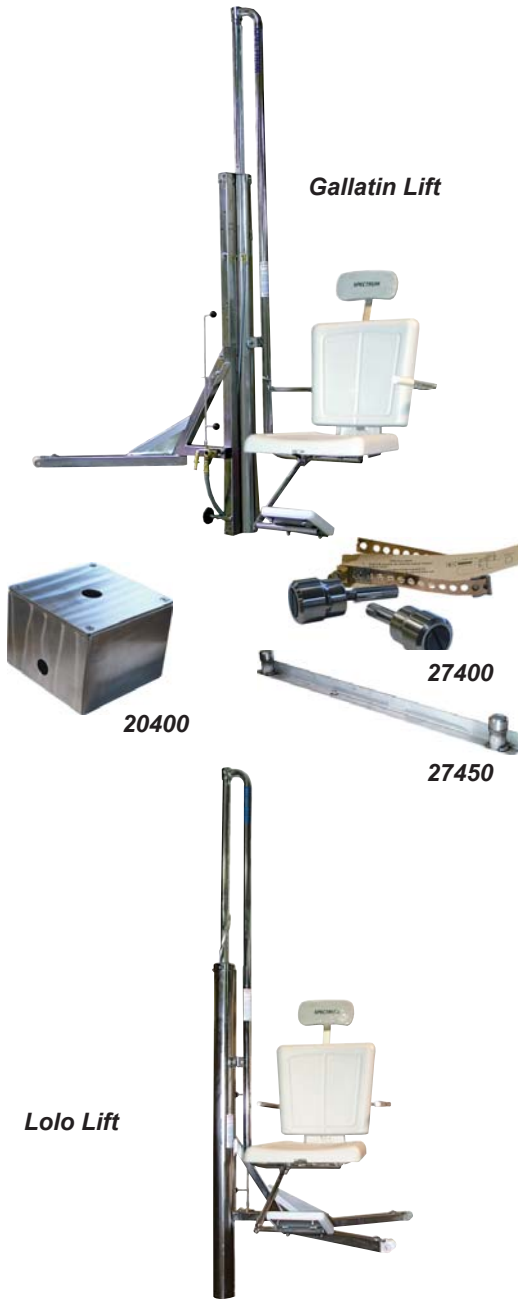
17 22 01	Lolo Lift WP400	27550	\$4550.00
----------	-----------------	-------	-----------

Revolution Lift

A great lift, loaded with features at a great price. This lift is easy to install. It uses a single anchor, (included) which must be cemented into the deck, and can accommodate 10-40 inches of setback. The load rating is 500 pounds, and this lift can clear a 30 inch high wall. The lift is battery powered, and comes with a full 360 degree powered rotation in both directions. Construction is stainless steel, powder coated white. The lift comes with dual flip-up arm rests, and a removable or adjustable foot rest. Options include a headrest, cover, and spare battery. A heavy lift, not easily moveable. **FOB Factory.**

Item No	Description	Price
17 23 15	Revolution Lift c/w anchor	\$6295.00
17 23 16	Revolution Cover	\$395.00
17 23 17	Revolution Headrest	\$285.00
17 23 18	Spare Battery	\$395.00
17 23 19	Spare Hand Control - specify 2 or 4 button	\$225.00
17 23 20	Transport Cart - when ordered with lift only	\$1650.00
17 23 21	Wheelchair Picker (22" wheelchair included)	\$4380.50
	When ordered with lift only	

Lifts and wheelchairs are HST, GST and PST Exempt.



Traveler II XRC 500 Lift - by Spectrum

This is Spectrum's portable lift and it is an excellent lift for retrofit into existing pools. The Traveler's innovative design works well for both the typical profile of a main pool and that of a swirl pool/hot tub. One Traveler can fulfil all of a facility's access lift requirements and Traveler is light and easy to move between locations by one lifeguard.

The Traveler works with an anchor in the deck, and is moved between locations on a dedicated cart. The Traveler meets all the access requirements under US ADA guidelines including a 500# lift rating and controls accessible by both user and attendant. A rechargeable DC battery supplies power.

Fabrication is 100% stainless steel and the Traveler is supported by a 5 year manufacturers warranty.

The Traveler XRC has wireless controls and includes the headrest and outer arm as standard equipment.

Call for product detail including: specifications, pictures and engineering documentation.

FOB Factory.

Item No	Description		Price
17 31 01	Traveler II XRC 500 Lift	26710	\$6895.00
17 31 02	Anchor	23638	\$186.00
17 31 03	Transport Cart	54523	\$1288.00
17 31 04	Cover	54377	\$401.50
17 31 08	Warner Linear Battery Gen 2 after 08/09	54494	\$295.00
17 31 05	Warner Linear Battery Gen 1 after 06/08	42254	\$425.00



**Travellor
Anchor**



**Linak
Battery**



**Warner
Linear
Gen I**



**Warner
Linear
Gen II**

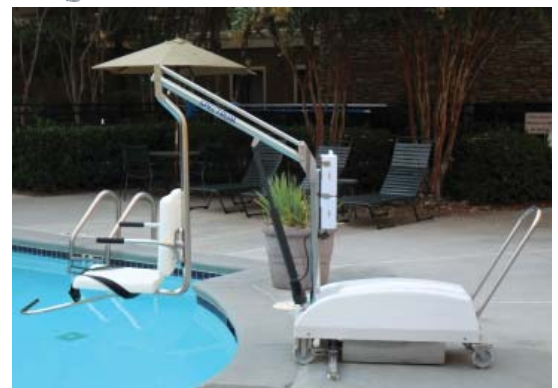
Elkhorn and Aspen Lifts

For the budget minded these two are the lifts to consider. The Elkhorn is a manual lift, both up and down, and side to side. Its rating is 400 pounds, and it is easy to install with a single anchor. It features all stainless steel construction and accommodates setbacks of 12 to 24". The Aspen is a similar unit, but upgraded with power up and down, power rotation, a better seat, setbacks from 6" to 28", but the load rating is cut back to 300 pounds. Both use the same anchor.

17 23 01	Elkhorn Lift-no anchor	28500	\$2385.00
17 23 02	Aspen BP350 Lift-no anchor	26010	\$3695.00
17 23 03	Anchor c/w lid & key	28510	\$370.25
17 23 04	Aspen & Mate FOB Factory	42233	\$6745.00



Elkhorn Lift



Aspen Lift (New Style) with Mate



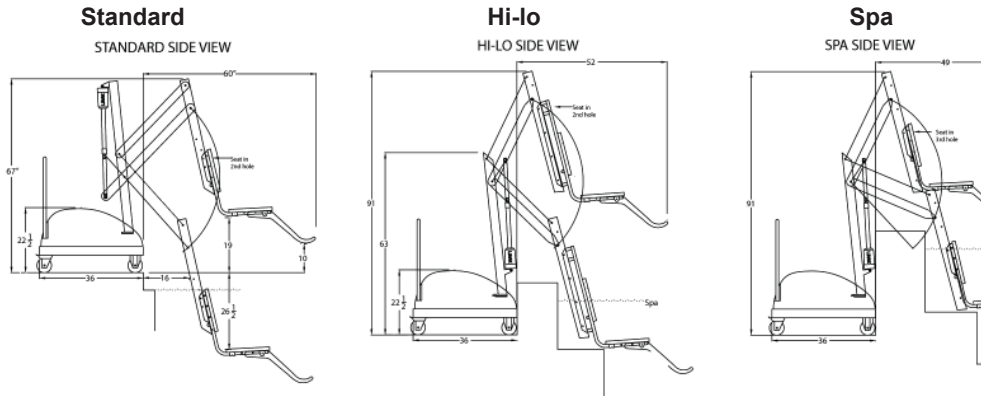
Pal-Portable Aquatic Lifts

Completely portable; use the PAL anywhere by wheeling it into place, locking the castors and setting the outrigger supports. No anchors required. The weight stack in the unit provides the counterbalance for a 300 pound capacity. The PAL is self-powered and uses a rechargeable 24 volt DC battery, with a waterproof case, normally good for about 30 use cycles. The control bar is also waterproof and accessible by the user or an attendant. The PAL is designed for use in pools where all pools are at deck level, and the PAL Hi-Lo has extra reach for facilities where the Hot Tub is raised above deck level. The PAL SPA is a unit for above ground Pools and Spas up to 48" above deck level. PALs come with battery, charger, console cover, waterproof control, footrest, and seatbelt assembly. Comes knocked down for shipping, some assembly is required. Note shipping weight is about 1,100 pounds. Pricing is **FOB Factory**, please call for a freight quote to your destination.

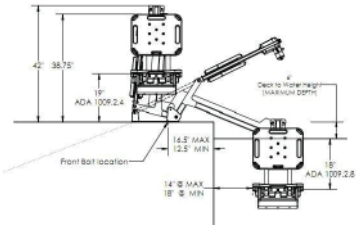


SR Smith New style battery chargers

Item No	Description	Price
17 10 01	PAL-Portable Aquatic Lift	\$6799.00
17 10 02	PAL-Portable Aquatic Lift with Armrests	\$7085.00
17 10 03	PAL Hi-Lo	\$6952.50
17 10 04	PAL Hi-Lo with Armrests	\$7236.50
17 10 05	PAL with Activation Key/Control Lock	\$6905.00
17 10 07	PAL SPA	\$6952.35
17 10 08	Spare Battery (recommended)	\$365.00
17 10 09	PAL Cover	\$510.60
17 10 10	Replacement Hand Control - 4 button	\$265.00



Pal Portable Aquatic Lift Dimensions



Multi-Lift Dimensions

Multi-lift, by S.R. Smith

The Multi-Lift by SR Smith is a simple, inexpensive Lift, that is ADA compliant (a US Regulation), and available at a price that makes Lift's very affordable. The Lift features a 350 pound capacity, ships very compactly, requires some assembly, and is designed for bolting to the deck. It is reversible for right or left hand installation so can be used on either side of the pool. It is powered Up & Down, but does not rotate during use, making it very simple to buy, use, and service, and requires a very small footprint on deck. The basic Lift is supplied with the following accessories. Anchor Jig, Flush Anchors, Battery, Charger, Seat Belt Assembly, Foot Rest, and Control Console Cover. The Lift can be upgraded with optional Armrests, Activation Key Control, (a key in the control panel that prevents unauthorized use), and a Wheel Set to make moving the unit easy. Lift pricing is FOB factory.

LiftOperator™ Intelligent Control System

- Emergency Stop Switch
- Hand Control Activated Audible Safety Alert
- Activation Key to Prevent Unauthorized Use (Option)
- Downloadable Performance Log
- 3 Battery Charge Status LEDs
- Energy Efficient (20 times more efficient than common controls)
- Full Set of Operational Controls on Touch Pad
- Patent Pending

Activation Key (Option)



New style control box



Multi-Lift with optional armrests

Item No	Description	Price
17 40 00	Multi-Lift #575-0000	\$3,199.00
17 40 01	Armrests, when purchased with lift	\$240.50
17 40 02	Activation Key Control, when purchased with lift	\$100.00
17 40 03	Wheel Set, when purchased with lift	\$145.00
17 40 04	Spare Battery #100-2000	\$365.00

Custom lifts for special applications are available. Please inquire.

Aquanaid's Mark I & Mark II are Discontinued! Parts only until 2020.



PARTS AVAILABLE

AQUANAIDS MARK II (OTTER): 350# rating; suitable for in ground pools.

Item No	Description
17 030 70	Plastic Seat for Mark II
Other parts POR	



PARTS AVAILABLE

AQUANAIDS MARK I LIFT: 350# rating; well built, in ground & above deck level pools.

Model	Price
BS112	\$195.00

ACCESS STEPS & LADDERS

Therapy Ladder (Missoula ladder)

The sloping design makes pool access user friendly at a very good price. Rails are stainless steel 1.5' OD for easier gripping. Units are custom made for your pool. Anchor sockets and escutcheons sold separately. **FOB Factory.**

Item No	Description	Model	Price
17 03 10	Therapy Ladder 3 step	25013	\$1245.00
17 03 11	Therapy Ladder 4 step	25019	\$1325.00
17 03 12	Therapy Ladder 5 step	25025	\$1465.00
17 03 15	Compression Anchor	24093	\$140.65
17 03 16	Compression Anchor Wrench	24094	\$58.95

This Therapy Ladder can be configured to work in deep water by being bent to return to the pool wall like a regular pool ladder.



Easy Ladder

These Ladders are custom made fiberglass pool ladders, designed for use where temporary extra access is required. Construction is one piece, with integral sides and risers. The Deck adapter is bolted on. They are designed to sit on the pool bottom and deck, snugly, and no extra anchoring is provided. The steps are 31" wide, riser height is 9 3/4" and tread width is 12", and non-skid. The ladder comes with a detachable set of wheels to make moving easier. Both corner and end wall models can be made. Two colours are available, yellow or blue. Ladders are custom made to dimensions provided, and trimmed to fit depth, floor slope, and coping as required. Some assembly is required. Hand-rails are stainless steel. Normally 2 people are needed to lift the ladder out of the pool. Dimensions noted are from pool bottom to deck level. **FOB Factory**

Item No	Description	Price
17 06 01	Easy Ladder, up to 48" 5 step	\$2250.00
17 06 02	Easy Ladder, 48" up to 58" 6 step	\$2810.00
17 06 03	Easy Ladder, 59" up to 68" 7 step	\$3255.00

